

ENS160/ENS161

Evaluation board

ENS16x evaluation board

Version: 0.7

Release Date: 2025-01-20

ENS16x is a range of digital multi-gas metal oxide (MOX) sensors, specifically designed for indoor air quality monitoring, offering an unrivalled wealth of fully-processed outputs including low-power operating modes.

The evaluation board provides access to all relevant sensor pins through solder pads or pre-soldered pin headers. It can be connected directly or used with the included USB-I²C bridge for easy computer access.

EVKit key features & benefits

- ✓ Provides all air quality parameters (eCO₂, eTVOC, AQI-U, AQI-S¹) plus environmental parameters (RH, T)
- ✓ Quick and easy access off all ENS16x sensor pins
- ✓ Already integrated humidity & temperature sensor for automatic compensation
- ✓ Selectable I²C or SPI interface
- ✓ I²C address selectable
- ✓ Kit includes already USB-I²C-bridge for easy access via computer
- ✓ Ready-to-use evaluation software

Sensor board properties

- ✓ Single 3.3V supply
- ✓ I²C interface voltage level up to 3.3V
- ✓ Supply via USB once bridge is used

Table of Contents

1 Air quality sensor ENS16x	4
1.1 Sensor	4
1.2 EVKit delivery	4
2 Board	5
2.1 Electrical parameters	5
2.2 Schematic.....	5
2.3 Sensor board.....	6
2.4 Dimensions.....	6
2.5 Configuration.....	7
2.5.1 Disabling ENS210 RHT Sensor	7
2.5.2 Selection I ² C / SPI and I ² C address	7
2.5.3 Alternative power supply	7
2.5.4 Breakout access	8
3 Software	8
4 More documentation	8
5 Ordering information	8
6 Copyrights & Disclaimer	9
7 Revision information	10

1 Air quality sensor ENS16x

1.1 Sensor

[ENS16x](#) is a range of digital multi-gas metal oxide (MOX) sensors , the latest one is [ENS161](#). With its innovative TrueVOC® technology, the ENS16x combines detection of a wide range of gases including volatile organic compounds (VOCs) and oxidizing gases with intelligent on-chip algorithms.

It calculates a range of fully processed outputs, including CO₂-equivalents, TVOC-equivalents, a 5-step Air Quality Index (AQI) as per the German Environment Agency (UBA), and a 500-step relative AQI according to SciSense¹. Additionally, the ENS16x provides full humidity compensation and supports low-power operating modes for power-constrained designs.

1.2 EVKit delivery

The hardware kit consists out of

- USB cable (USB-A to Micro-USB)
- USB-to-I²C bridge
- Evaluation board, fully populated with ENS16x plus ENS210 for automatic RHT compensations, full break out pins and pin headers for easy access

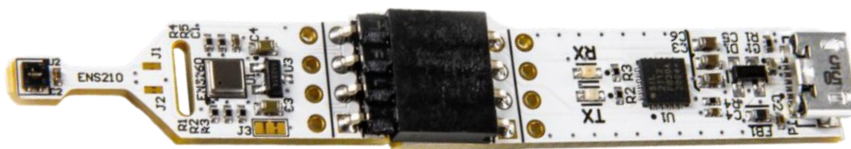


Figure 1: Evaluation board with connected USB bridge

The evaluation board can be used either with the USB-to-I²C bridge or as standalone along with a μ C at voltage levels from 1.8V or 3.3V for I²C or SPI interface (LDO on board).

The following documentation will focus on the sensor board itself as the USB-to-I²C bridge is acting as interface only.

¹ ENS161 based version only

2 Board

2.1 Electrical parameters

Table 1: maximum electrical settings

Symbol	Parameter	Min	Max	Units	Comments
V_{1V8}^2	DC voltage (in) at V_{1V8} pin	1.71	1.98	V	If LDO output not used
V_{3V3}	DC voltage at V_{3V3} pin	1.8	3.6	V	
V_{IO1}	MOSI/SDA, SCLK/SCL		$V_{3V3}+0.3$	V	
V_{IO2}	MISO/ADDR, nINT, nCS		$V_{3V3}+0.3$	V	

2.2 Schematic

The sensor board primarily comprises the ENS16x gas sensor (U1), the ENS210 RH/T sensor (U2), a linear voltage regulator (U3)², and jumper bridges for configuration (refer to section 2.4 for details).

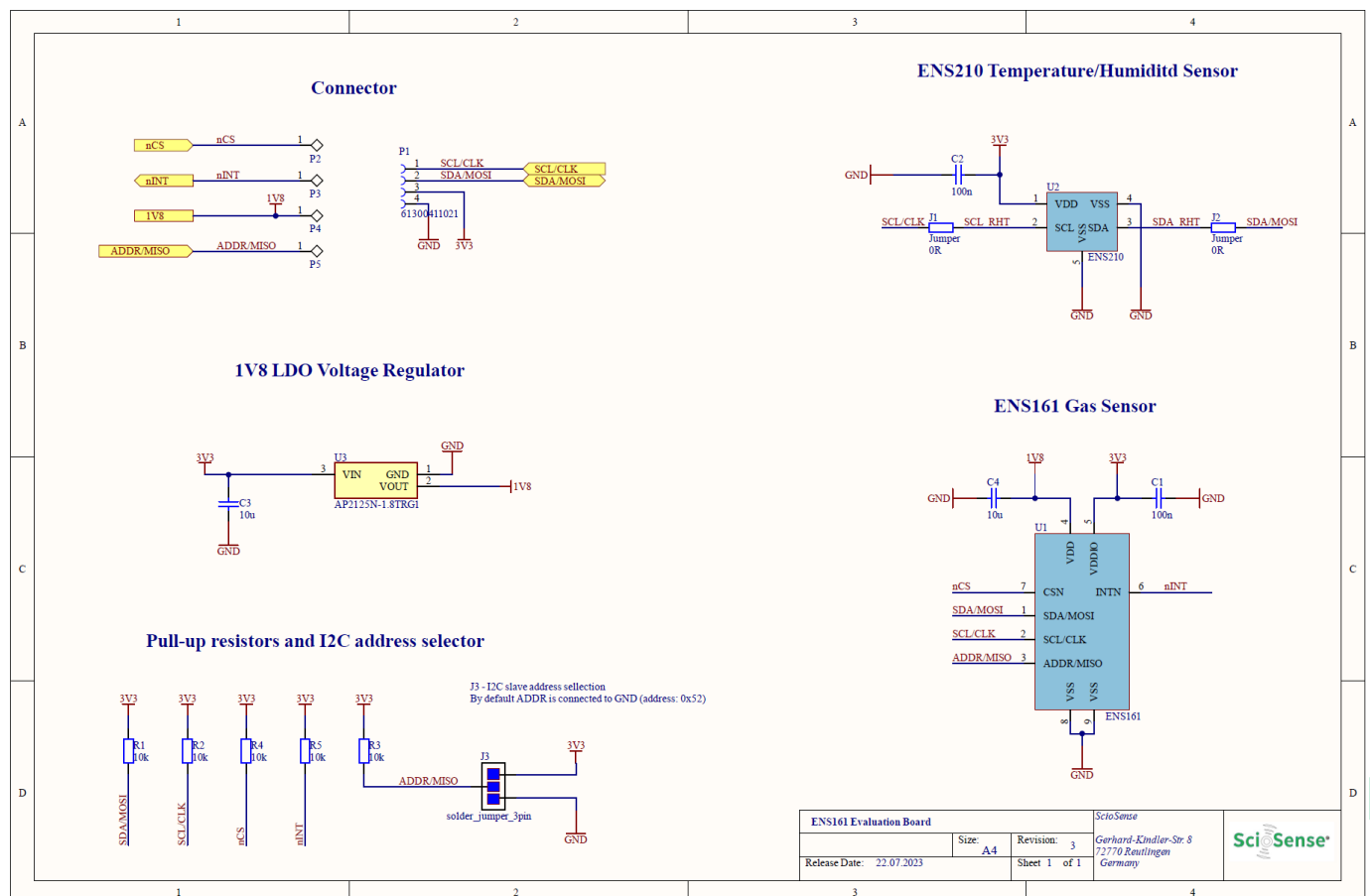


Figure 2: Schematic sensor board

² Please see also 2.5.3 Alternative power supply

2.3 Sensor board

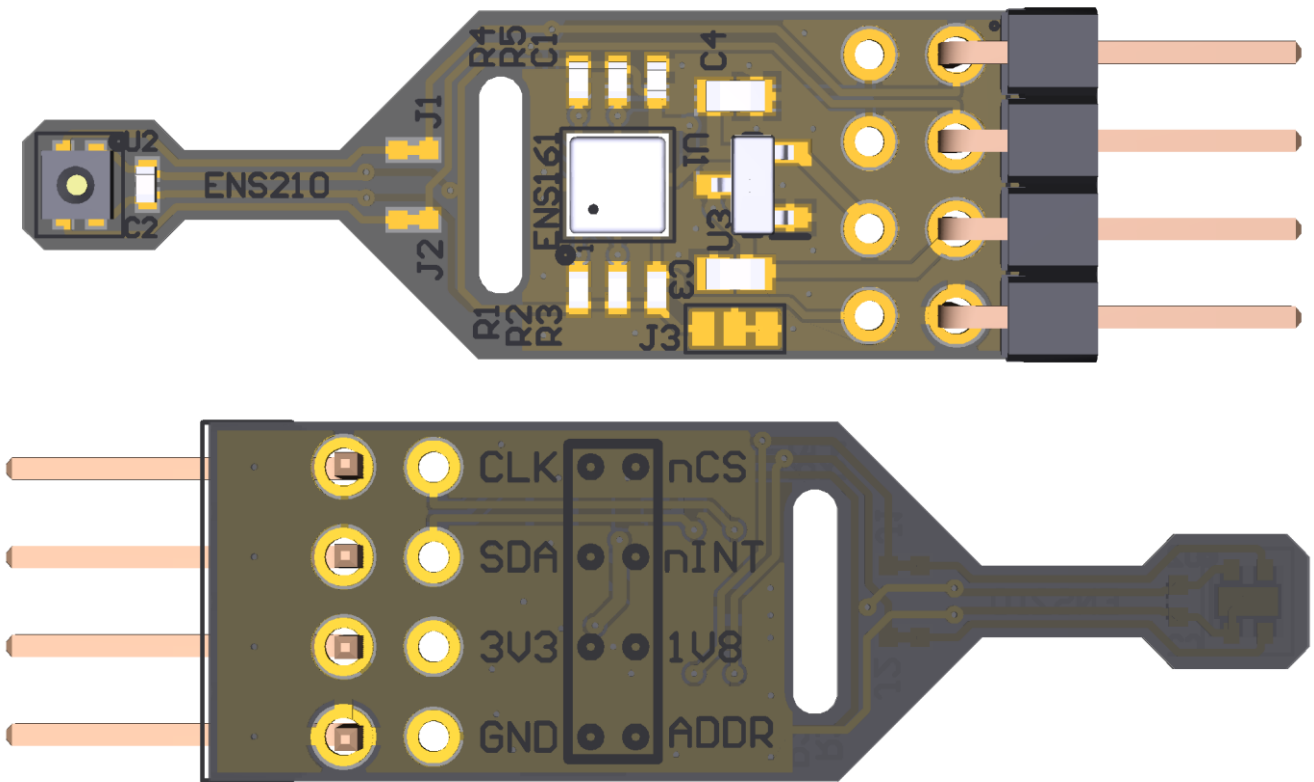


Figure 3: Sensor board top and bottom view

2.4 Dimensions

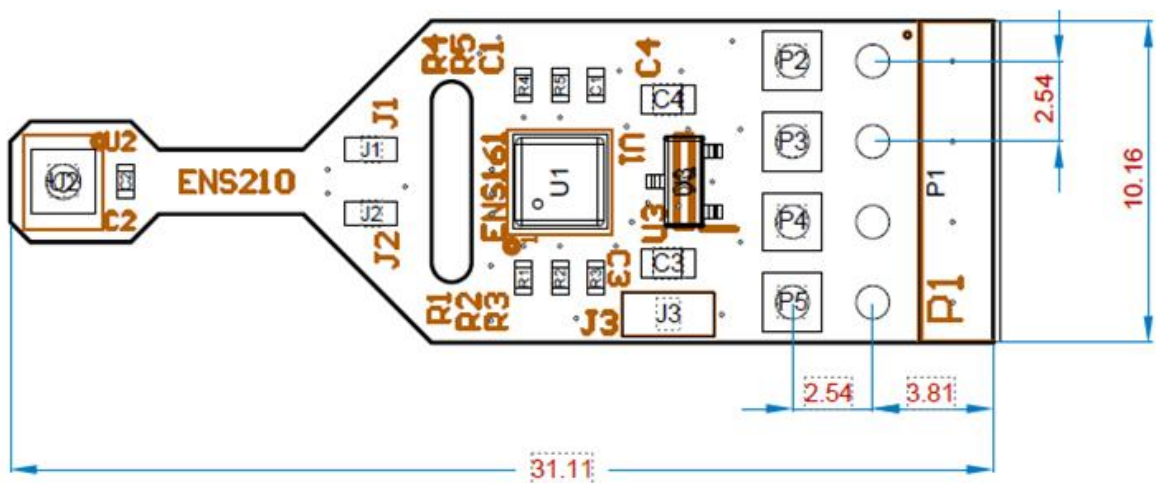


Figure 4: Mechanical dimensions

2.5 Configuration

2.5.1 Disabling ENS210 RHT Sensor

J1 and J2 are normally closed, so I²C bus is connected to ENS210. However, if not needed or SPI has been selected, it is recommended to open (cut) the copper wire on both jumpers.

2.5.2 Selection I²C / SPI and I²C address

Jumper J3 provides the option to connect ENS16x pin 3 (ADDR/MISO) either to GND, 3.3V or keep open. This setting has direct impact on bus interface configuration.

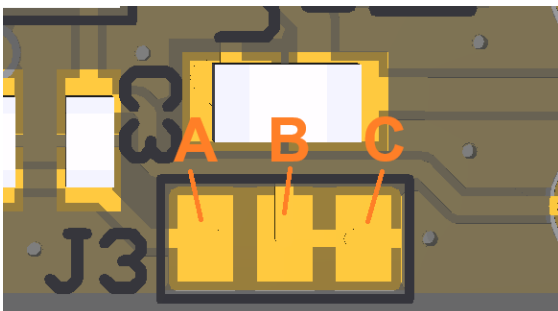


Figure 5: Jumper J3 function

By default, GND is connected to ADDR/MISO pin so the ENS16x operates in I²C mode with address 0x52. Available options are

Table 2: configuration address and bus type

Pad: A (3.3V)	B (ADDR/MISO)	C (GND)	function
■	■	■	I ² C active, address 0x53
■	■	■	default I ² C active, address 0x52
■	■	■	SPI activated

Under no circumstances should pad A and pad C be connected, as this will short the supply voltage to GND and may cause damage to the board

2.5.3 Alternative power supply

A linear voltage regulator is populated to generate 1.8V out of voltage applied on pin 3V3.

Although pin 1V8 can be used to supply voltage directly from an external source, pin 3V3 must also be powered. Please consult the ENS16x datasheet for the correct voltage levels.

2.5.4 Breakout access

All relevant signals are accessible via pads, with their functions clearly marked on the PCB. In the default configuration, pin headers are installed to straightaway access I²C functionality. This can be achieved using the USB-to-I²C bridge or directly, for example, with a microcontroller

3 Software

Windows based dashboard is available on our download section for quick access and testing of all sensor features

Download dashboard

Drivers and samples are available at our GitHub page for easy implementation. This includes Arduino libraries as well as other platforms



4 More documentation

For more information on the sensor please find on our website <http://www.sciosense.com>

ENS160 Datasheet

ENS161 Datasheet

5 Ordering information

Ordering number (see also section “Ordering information” within the datasheet)

Table 3: Ordering information ENS16x evaluation kit

Ordering Code	Material ID	Delivery quantity
ENS160-LG_EK_ST V1	507870028	1 box
ENS161-LG_EK_ST V1	507890004	1 box

6 Copyrights & Disclaimer

Copyright Sciosense B.V., High Tech Campus 10, 5656 AE Eindhoven, The Netherlands. Trademarks Registered. All rights reserved. The material herein may not be reproduced, adapted, merged, translated, stored, or used without the prior written consent of the copyright owner.

Devices sold by Sciosense B.V. are covered by the warranty and patent indemnification provisions appearing in its General Terms of Trade. Sciosense B.V. makes no warranty, express, statutory, implied, or by description regarding the information set forth herein. Sciosense B.V. reserves the right to change specifications and prices at any time and without notice. Therefore, prior to designing this product into a system, it is necessary to check with Sciosense B.V. for current information. This product is intended for use in commercial applications. Applications requiring extended temperature range, unusual environmental requirements, or high reliability applications, such as military, medical life-support or life-sustaining equipment are specifically not recommended without additional processing by Sciosense B.V. for each application. This product is provided by Sciosense B.V. "AS IS" and any express or implied warranties, including, but not limited to the implied warranties of merchantability and fitness for a particular purpose are disclaimed.

This product is not intended for use as safety device and/or in applications where failure of the product could result in personal injury. Sciosense B.V. shall not be liable to recipient or any third party for any damages, including but not limited to personal injury, property damage, loss of profits, loss of use, interruption of business or indirect, special, incidental or consequential damages, of any kind, in connection with or arising out of the furnishing, performance or use of the technical data herein. No obligation or liability to recipient or any third party shall arise or flow out of Sciosense B.V. rendering of technical or other services.

7 Revision information

Table 4: Revision history

Revision	Date	Comment	Page
0.7	2024-05-13	Initial Preliminary Version	All

Note(s) and/or Footnote(s):

1. Page and figure numbers for the previous version may differ from page and figure numbers in the current revision.
2. Correction of typographical errors is not explicitly mentioned.

Address: Sciosense B.V.
High Tech Campus 10
5656 AE Eindhoven
The Netherlands

Contact: www.sciosense.com
info@sciosense.com

