



Application Note

TDC-GP30

**Operation with a single transducer for
concentration measurement**



Content Guide

1 General Description 3

2 Realization 3

3 Contact Information..... 7

4 Copyrights & Disclaimer..... 8

5 Revision Information 9

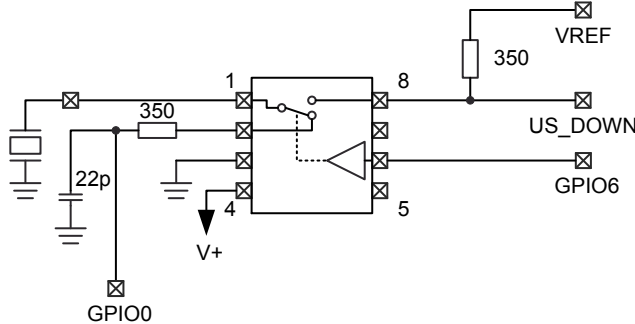
1 General Description

Concentration measurement targets an operation with a single transducer. The TDC-GP30 task management is dedicated to flow and therefore operation with a pair of transducers. Thanks to the optional gas meter mode, it is possible to work with a single transducer.

2 Realization

This operation needs an external analog switch like Maxim MAX4659 as well as the external RC combination.

Figure 1: External circuit for a single transducer



The TDC-GP30 runs in gas meter mode, sending only in one direction only. In gas meter mode the fire burst is sent at pin GPIO0. The external circuit switches the transducer between GPIO0 (fire) and US_DOWN (receive).

Figure 2: Configuration

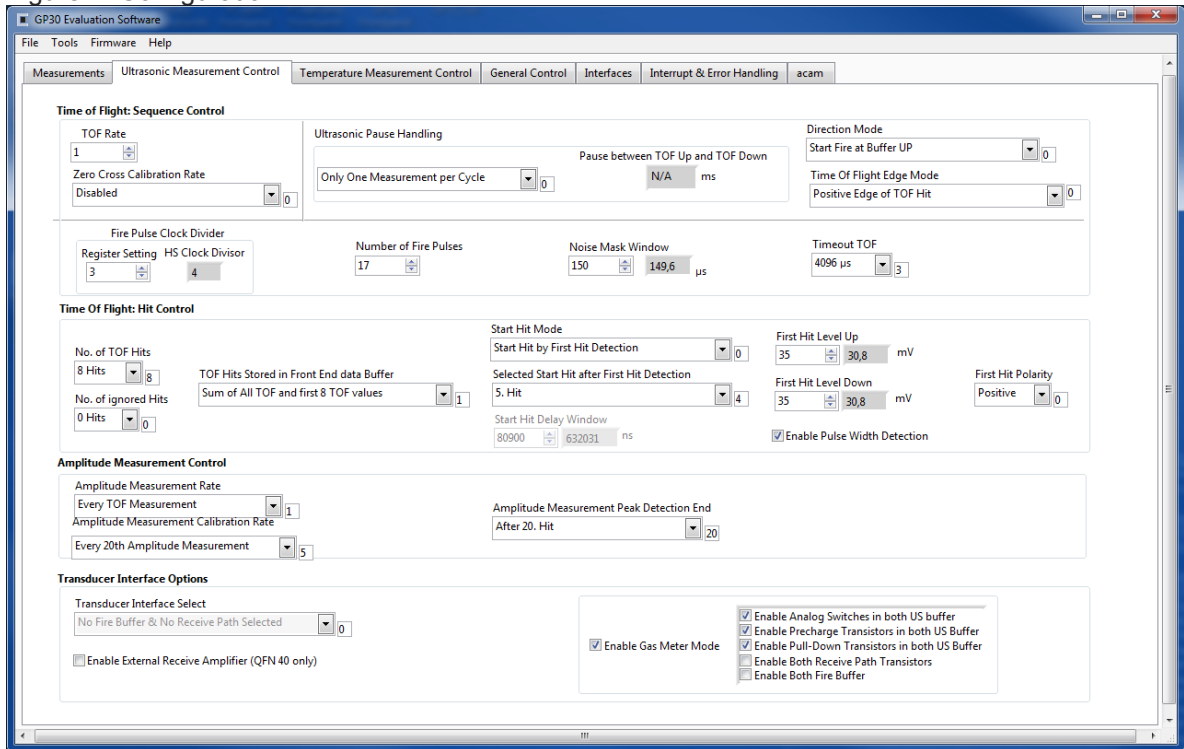


Figure 3: Configuration for GPIOs

GPIOs

Configuration SCK (SPI) or RxD (UART) Port
Input Pull Down 2

GPIO 0

Configuration GPIO 0
Output 0
Select GPIO 0
Ultrasonic Fire Burst 3

GPIO 1

Configuration GPIO 1
Output 0
Select GPIO 1
Ultrasonic Direction 3

GPIO 2

Configuration GPIO 2
Output 0
Select GPIO 2
General Purpose Out [2] 0

GPIO 3

Configuration GPIO 3
Input Pull Up 1
Select GPIO 3
General Purpose Out [3] 0

GPIO 4 (QFN 40 only)

Configuration GPIO 4
Output 0
Select GPIO 4
Ultrasonic Fire Busy 3

GPIO 5 (QFN 40 only)

Configuration GPIO 5
Input Pull Up 1
Select GPIO 5
General Purpose Out [5] 0

GPIO 6 (QFN 40 only)

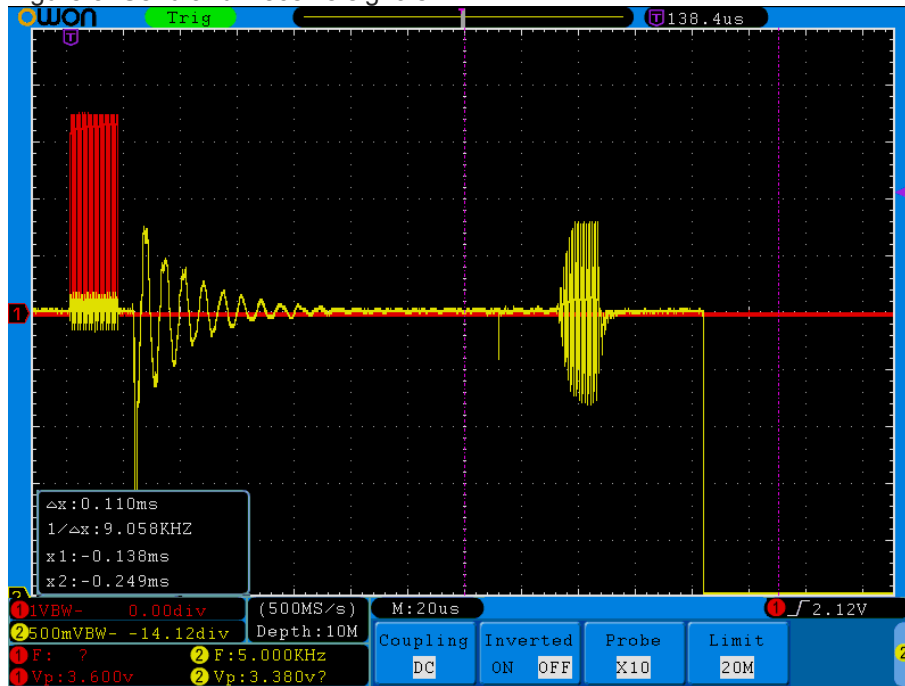
Configuration GPIO 6
Output 0
Select GPIO 6
Ultrasonic Receive Burst Enable 3

With this setup, the signals look like shown in following figures.

Figure 4: Send and Receive signals



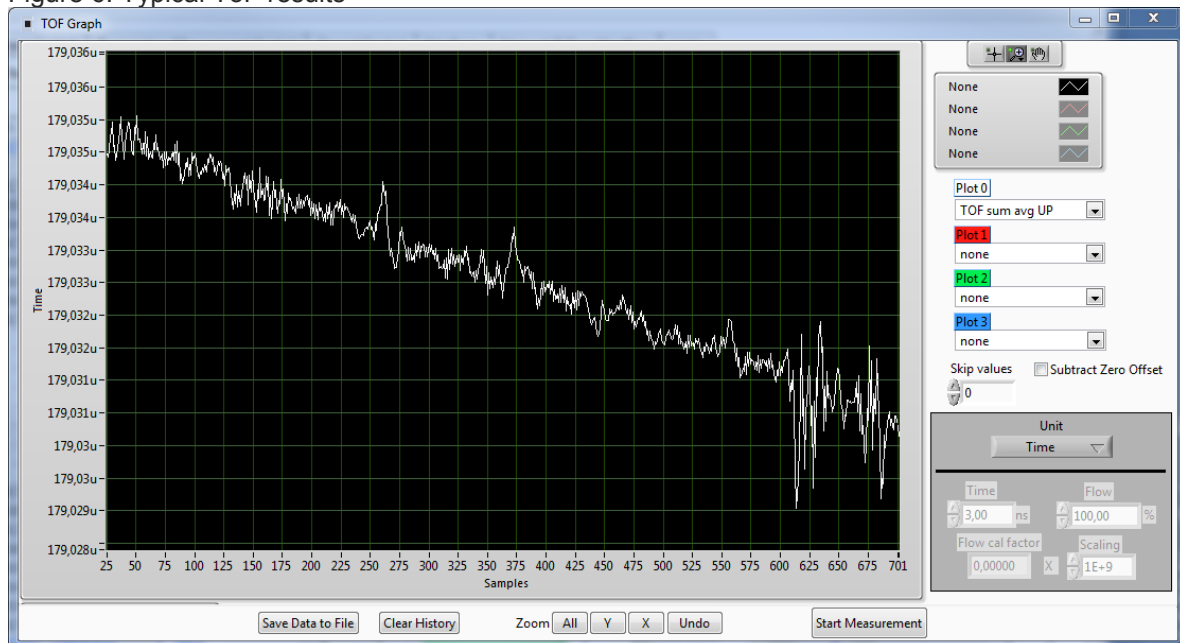
Figure 5: Send and Receive signals



It is obvious that the resonance of the transducers when switched to Vref for receive defines a minimum time-of-flight.

The resolution seen is in the order of 500ps rms with 10-fold average. Of course, the temperature affects the speed of sound and a drift is seen accordingly.

Figure 6: Typical ToF results



3 Conclusion

In principle, TDC-GP30 with an external analog switch can operate in a single transducer application. Of course, for a reasonable interpretation of the data an additional temperature measurement is necessary. Such a setup will be fine for concentration measurement. Level measurements will be hard to realize as the amplitude will vary dramatically with any waves on the reflecting surface so that first hit detection may not be applicable.

4 Contact Information

Buy our products or get free samples online at:

www.ams.com/ICdirect

Technical Support is available at:

www.ams.com/Technical-Support

Provide feedback about this document at:

www.ams.com/Document-Feedback

For further information and requests, e-mail us at:

ams_sales@ams.com

For sales offices, distributors and representatives, please visit:

www.ams.com/contact

Headquarters

ams AG

Tobelbader Strasse 30

8141 Premstaetten

Austria, Europe

Tel: +43 (0) 3136 500 0

Website: www.ams.com

5 Copyrights & Disclaimer

Copyright ams AG, Tobelbader Strasse 30, 8141 Premstaetten, Austria-Europe. Trademarks Registered. All rights reserved. The material herein may not be reproduced, adapted, merged, translated, stored, or used without the prior written consent of the copyright owner.

Information in this document is believed to be accurate and reliable. However, ams AG does not give any representations or warranties, expressed or implied, as to the accuracy or completeness of such information and shall have no liability for the consequences of use of such information.

Applications that are described herein are for illustrative purposes only. ams AG makes no representation or warranty that such applications will be appropriate for the specified use without further testing or modification. ams AG takes no responsibility for the design, operation and testing of the applications and end-products as well as assistance with the applications or end-product designs when using ams AG products. ams AG is not liable for the suitability and fit of ams AG products in applications and end-products planned.

ams AG shall not be liable to recipient or any third party for any damages, including but not limited to personal injury, property damage, loss of profits, loss of use, interruption of business or indirect, special, incidental or consequential damages, of any kind, in connection with or arising out of the furnishing, performance or use of the technical data or applications described herein. No obligation or liability to recipient or any third party shall arise or flow out of ams AG rendering of technical or other services.

ams AG reserves the right to change information in this document at any time and without notice.

6 Revision Information

Current revision 1-00 (2016-Oct-13)	Page
Initial version 1-00	

Note: Page numbers for the previous version may differ from page numbers in the current revision.
Correction of typographical errors is not explicitly mentioned.